

MOUNTING INSTRUCTIONS 1650 Series Residential KNOX-BOX® Hinged Door Model

Fire Service Models
1658
1659



1601 W. Deer Valley Road, Phoenix, AZ 85027
800-552-5669 • Fax 623-687-2299
E-mail: info@knoxbox.com

02/2003 PIV L-2006

MOUNTING INSTRUCTIONS 1650 Series Residential KNOX-BOX® Hinged Door Model

Fire Service Models
1658
1659



1601 W. Deer Valley Road, Phoenix, AZ 85027
800-552-5669 • Fax 623-687-2299
E-mail: info@knoxbox.com



Knox® Rapid Entry System

The Knox Company manufactures a complete line of high security products including Knox-Box® key boxes, key vaults, armored cabinets, key switches, padlocks and electronic master key retention devices.

For information and technical assistance, call:

800-552-5669

1650 Series Residential KNOX-BOX® Hinged Door Model



The 1650 Series key box was developed by Knox for residential properties. It provides secure storage for two residential entrance keys and is used for fire and medical emergency entry in gated communities, single family residences and apartment complexes. The Residential KNOX-BOX® key box is available with a lift off or hinged door and a hanging bracket for emergency medical access during temporary illness.

Features:

- High security Medeco lock
- Surface mounted or door mounted
- Knox-Coat® proprietary finish
- Has 3 UL listings (UL 437, UL 1037, UL 1610)



1601 W. Deer Valley Road, Phoenix, AZ 85027
800-552-5669 • Fax 623-687-2299 • Web: www.knoxbox.com • E-mail: info@knoxbox.com

MOUNTING INSTRUCTIONS

1650 Series Residential KNOX-BOX®

Hinged Door Model



Read instructions carefully before mounting.

The 1650 Series Residential KNOX-BOX® key box was developed to secure residential entrance keys. Each key box is coated with the Knox-Coat® proprietary finishing process* and includes a 1/8" thick stainless steel dust cover to protect the lock. The Residential KNOX-BOX is fully tested and listed under three (3) UL listings.

KNOX-BOX is a very strong device that must be mounted properly to ensure maximum security. A limit of two keys must be hung on the inside key hook. THE UNIT WILL NOT HOLD MORE THAN TWO KEYS.

Mounting Instructions for Surface Model 1658

1. Always mount KNOX-BOX to a secure, solid wall, beam or post in an area sheltered from excessive moisture (see Figure 1). Consult your fire department for other mounting requirements such as height and placement on the building. A six-foot height is recommended to resist vandalism.
2. Position the KNOX-BOX with the green mounting markers pointed up so the small moisture drain hole is on the bottom. **Remove** the green markers after installation.
3. After using a small level to plumb the box square, install the box using at least four (4) Grade 5 or 8 fasteners (carriage bolts, etc.) of 5/16" diameter. Units must be mounted on solid studs or steel supports, or they may be welded into place. **DO NOT MOUNT FACE DOWN FROM CEILING OR OVERHANG.** This position may cause contents to jam lock.
4. Caulk the sides and the top between the wall and the box for waterproofing, leaving the bottom open for drainage.
5. Use of a professional locksmith or licensed alarm products installer is **highly recommended in order to provide the secure mounting that is required to achieve a high level of overall security.**

Mounting Instructions for Door Bracket Model 1659

1. Place the Residential KNOX-BOX with hanger over the top of the entry door. Position the unit on the hinged side of the door.
2. Check to see that the hanger does not interfere with the door weather seal.
3. For semi-permanent installation, fasten hanger to door with small screws or nails to prevent removal.
4. To convert the door-hanging model to a surface-mounted model, remove the door bracket and mount per instructions for Model 1658 above.

IMPORTANT: When your Residential KNOX-BOX is for fire department use and the mounting process is complete, contact your local fire department to inform them the box is ready for lock up. They have the only key.

NOTE: When a Residential KNOX-BOX is intended for private, industrial or commercial use, keys may accompany the box when requested. Refer to the instructions above for box and door installation.

* Knox-Coat is a proprietary finishing process that protects Knox products up to four times better than standard powder coat

Attention: KNOX-BOX is a very strong device that MUST be mounted properly to ensure maximum security and resist physical vandalism.



Fire Service Model 1658



Fire Service Model 1659

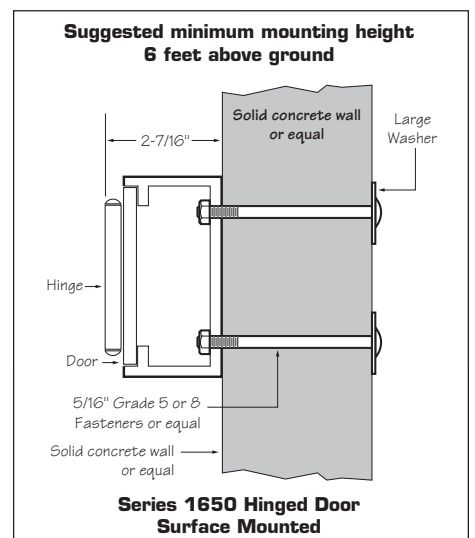


Figure 1

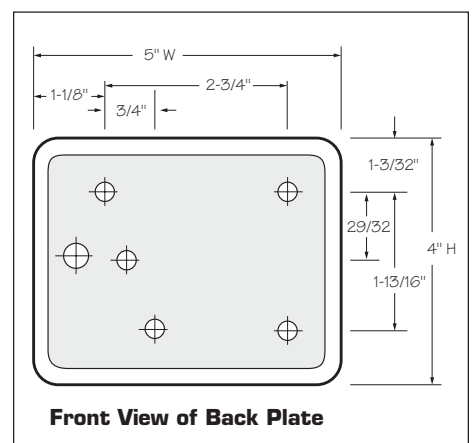


Figure 2

