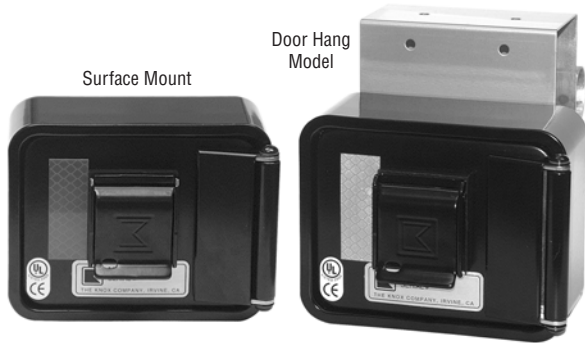


High Security Residential Key Box



The 1650 Series KNOX-BOX® was developed to secure residential entrance keys. Knox® Residential is used for fire, police and medical emergency entry in gated communities, single family residences and apartment complexes. The hinged residential key box is also available with a door-hanging bracket for emergency medical access during temporary convalescence.

Features and Benefits

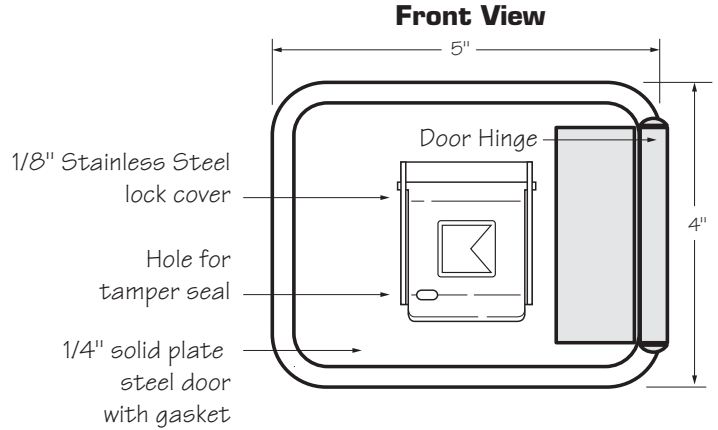
- Holds up to 2 keys in interior compartment
- Ensures high security with UL® Listed Medeco lock
- Includes Knox-Coat® that is four times better than standard powder coat
- Resists moist conditions with a weather resistant door gasket
- Colors: Black
- Weight: 7 lbs.

Options

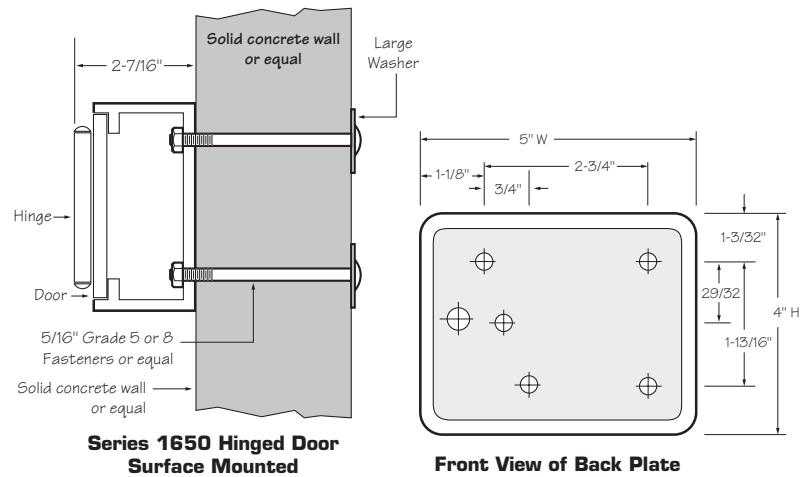
- Door bracket for hanging over 1-7/8" door for temporary applications.

Attention: KNOX-BOX® key box is a very strong device that MUST be mounted properly to ensure maximum security and resist physical attack.

Knox® Rapid Entry System
The Knox Company manufactures a complete line of high security products including Knox-Box key boxes, key vaults, cabinets, key switches, padlocks, locking FDC caps and electronic master key security systems. For more information or technical assistance, please call Customer Service at 1-800-552-5669.



Suggested minimum mounting height
6 feet above ground



Note: For commercial applications, see 3200 Series Knox-Box® or 4400 Series Knox-Vault™.

Ordering Specifications

To insure procurement and delivery of the 1650 Series KNOX-BOX hinged-door model, it is suggested that the following specification paragraph be used:

KNOX-BOX surface or door mount. 1/4" plate steel housing, 1/4" thick steel door with interior gasket seal and stainless steel door hinge. Box and lock UL® Listed. Lock has 1/8" thick dust cover with tamper seal mounting capability.

Exterior Dimensions: Surface mount - 5"H x 4"W x 2-7/16"D
Door hanger - 5"H x 4"W x 2-7/16"D

Lock: UL Listed. Double-action rotating tumblers and hardened steel pins accessed by a biased cut key.

Finish: Knox-Coat® proprietary finishing process

Colors: Black

P/N: 1650 Series KNOX-BOX (mfr's cat. ID)

Mfr's Name: **KNOX COMPANY**